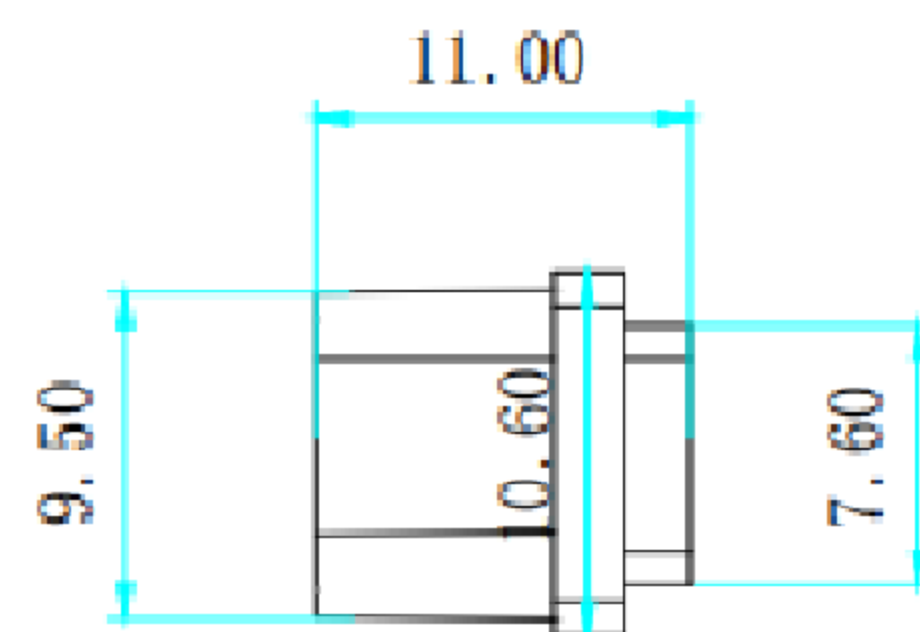
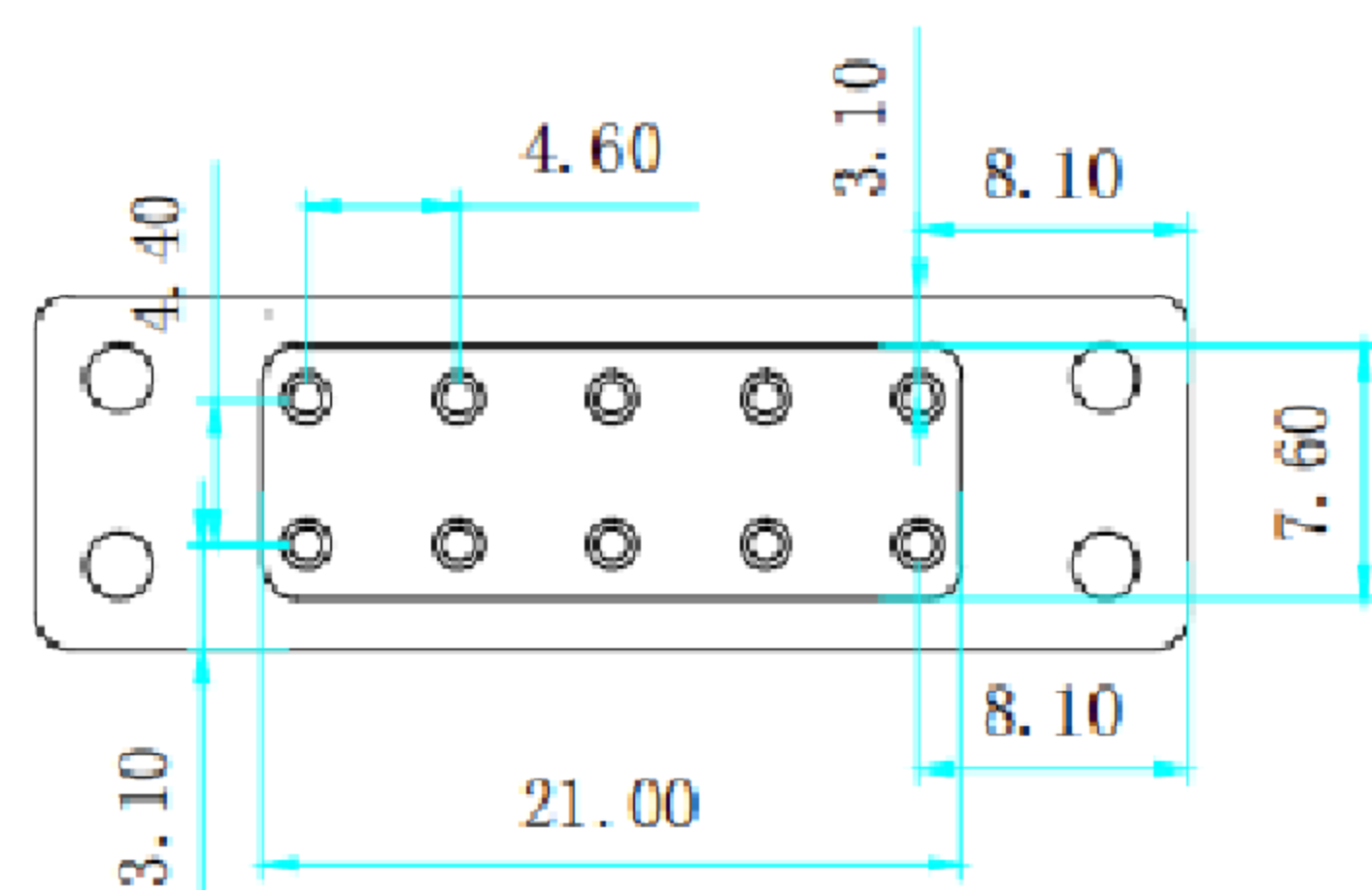
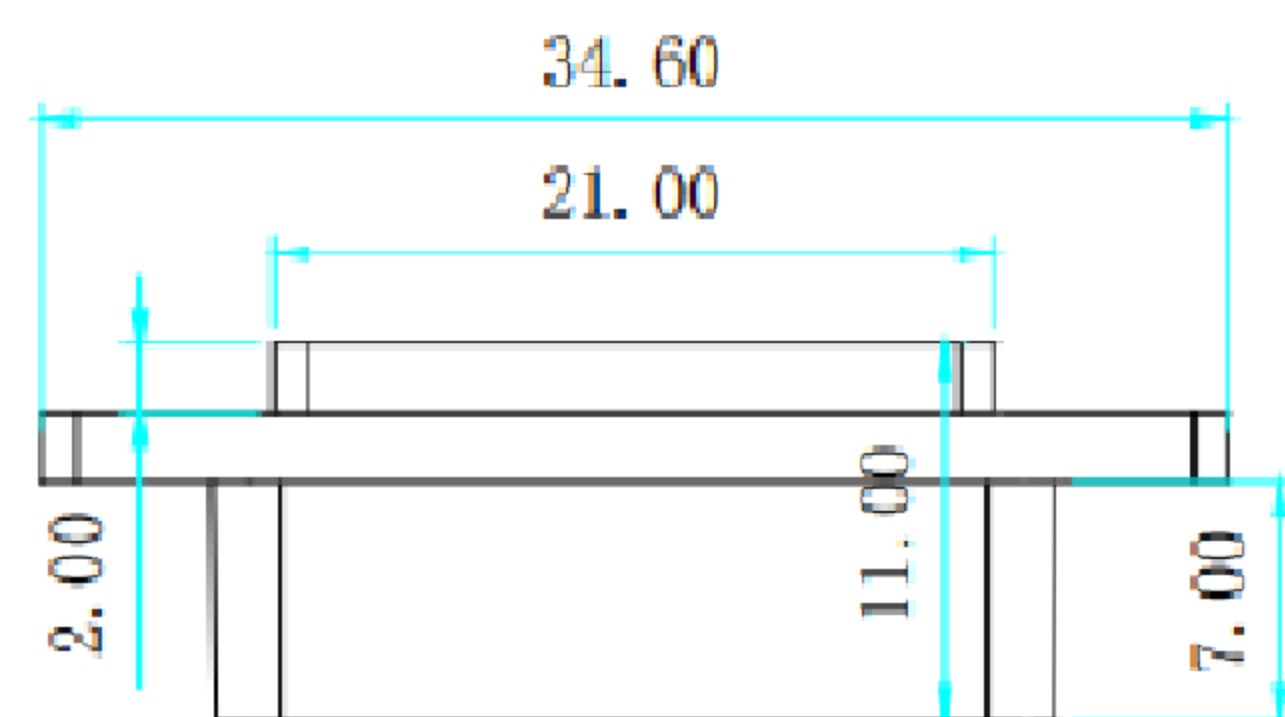
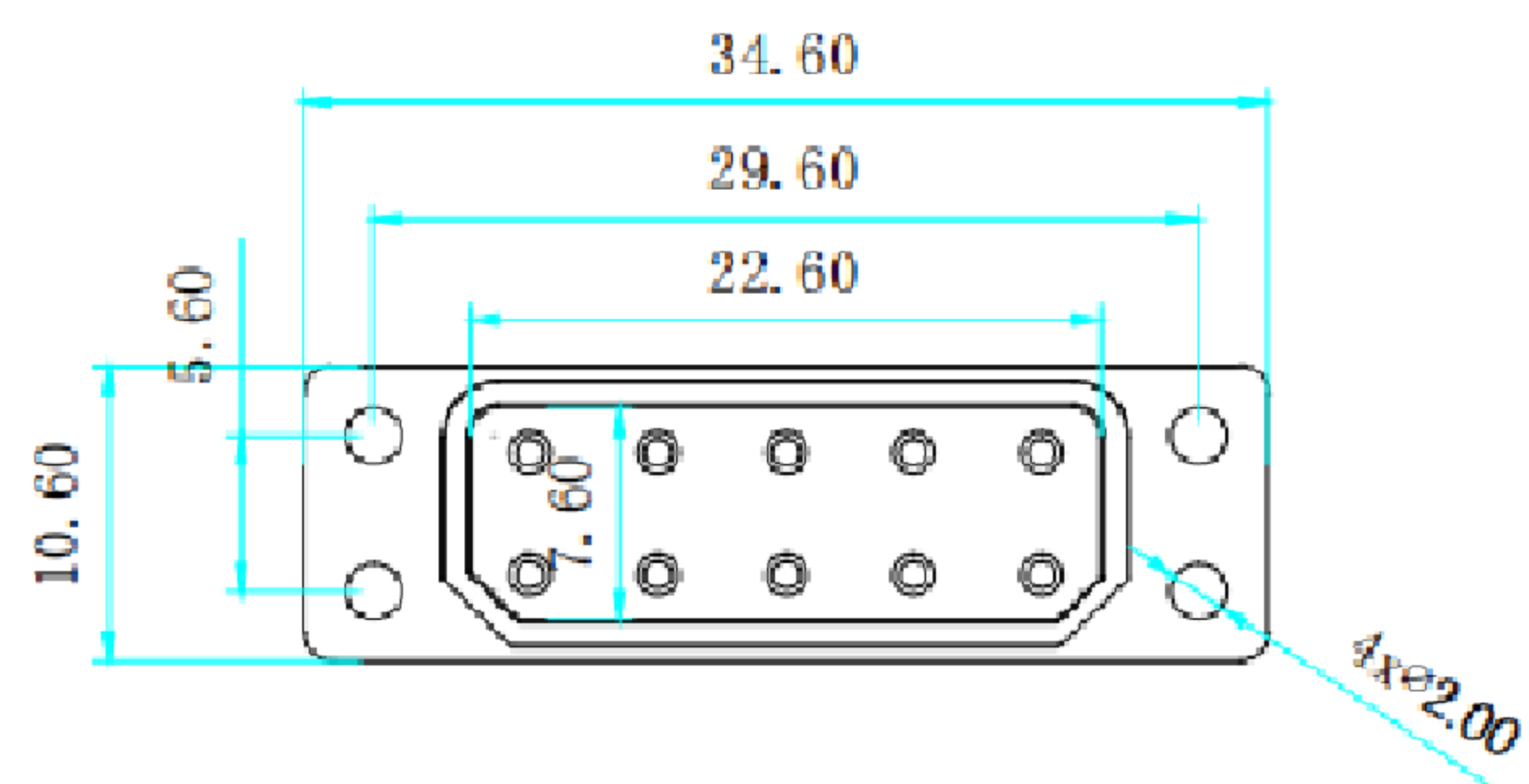
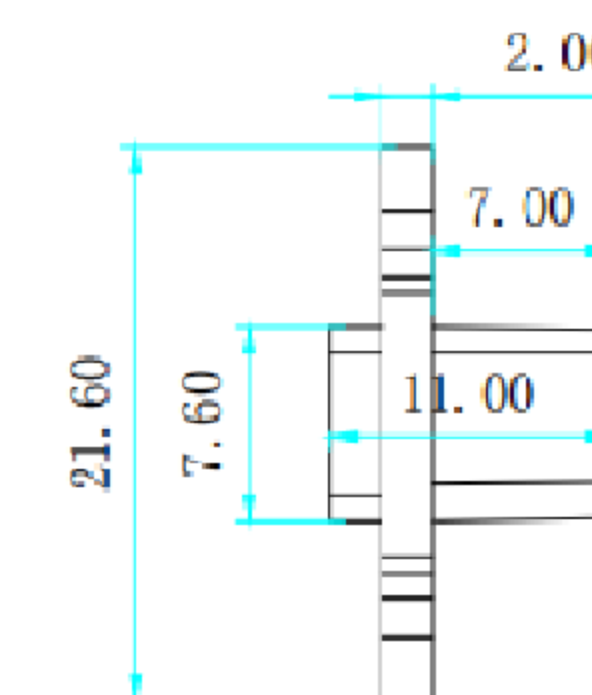
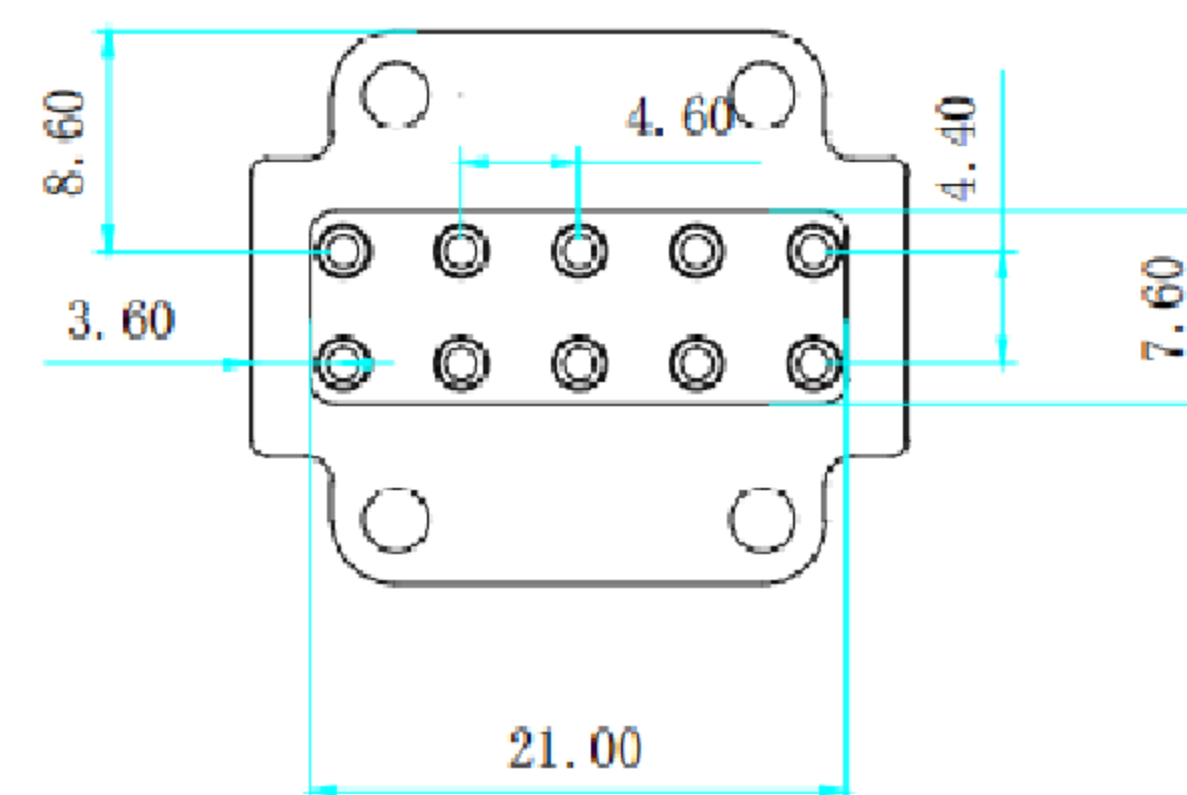
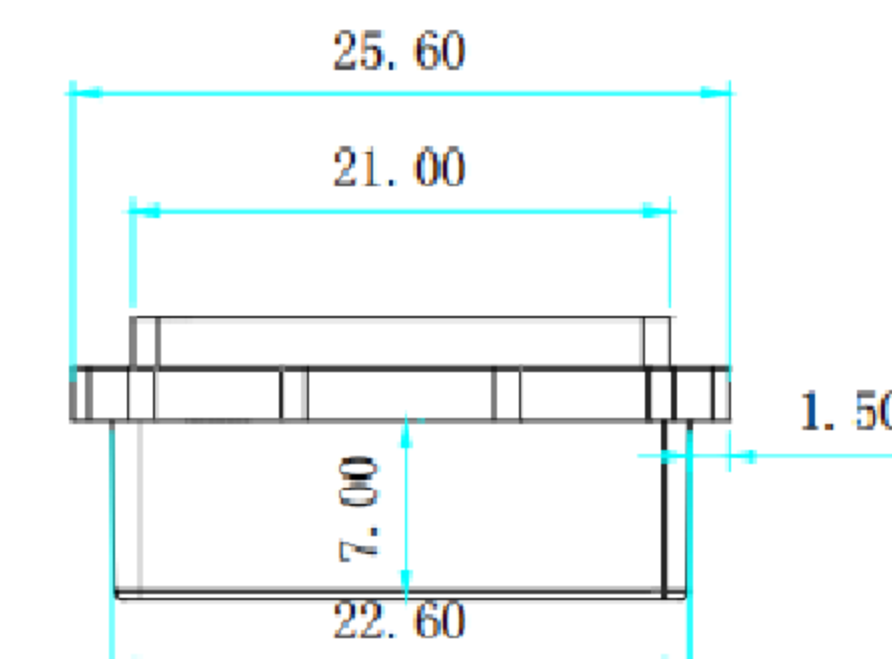
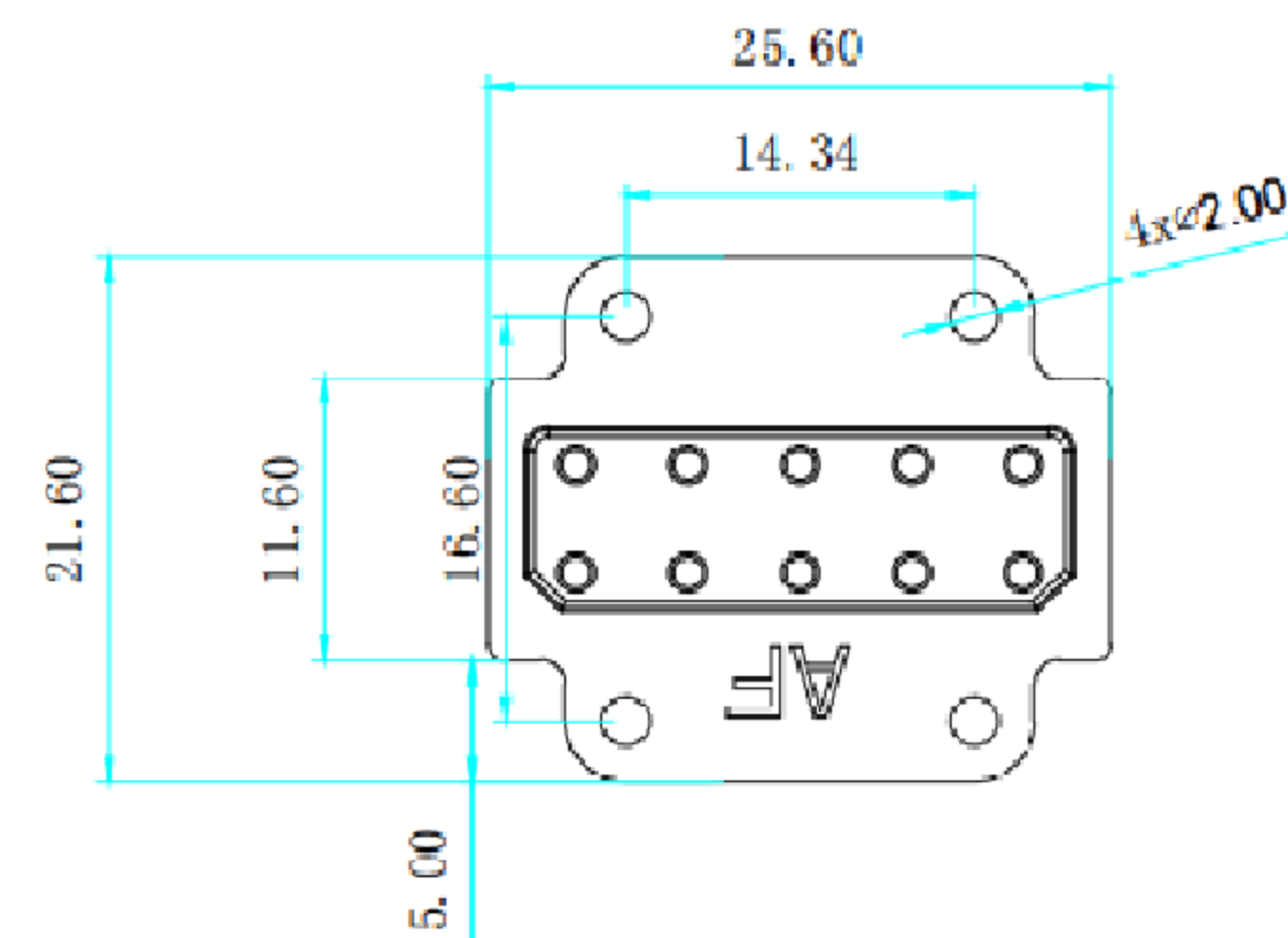




### GD-AF10P-G 公座



### GD-AF10P-M 母座



- 产品型号: GD-TX-AF10P-G
- 产品颜色: 黄色/黑色
- 金属材质: 铜镀金(1u)
- 瞬时电流: 7A
- 额定电流: 5A
- 绝缘材质: PA
- 接触电阻: 0.30mΩ
- 工作温度: -20℃ to 120℃ 额定电压: DC 500V
- 推荐使用次数: 1000 TIMES

**東莞市高迪電子有限公司**  
**DONG GUAN GAO DI ELECTRONICS CO., LTD**

TOLERANCE UNLESS OTHERWISE STATED: Up to 5 ±0.2, Above 5 ~ 15 ±0.3, Above 15 ~ 30 ±0.4, Above 30 ~ 50 ±0.5, Angle ±0.3°

3RD. ANGEL'S

UNITS: MM

DRAWN BY:	DATE	MAT'L	TITLE	CONNECTOR
Jack Lu	12/13/19			
CHECKED BY:	DATE	FINISH	MODLE	GD-TX-AF10P
Jacky Chen	12/13/19			
APPROVED BY:	DATE	SCALE	DWG NO.	
Tony Kao	12/13/19	1:1		
		SHEET NO.	PART NO.	
		1 of 1		
				SIZE: A4
				VER: R1